

DISASSEMBLY

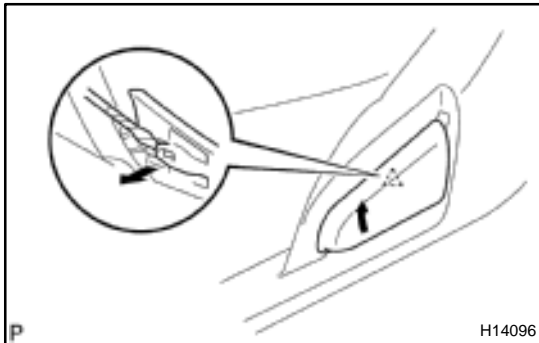
1. w/ Vertical adjuster:

REMOVE VERTICAL ADJUSTER KNOB

Using a screwdriver, remove the clip and vertical adjuster knob.

HINT:

Tape the screwdriver tip before use.

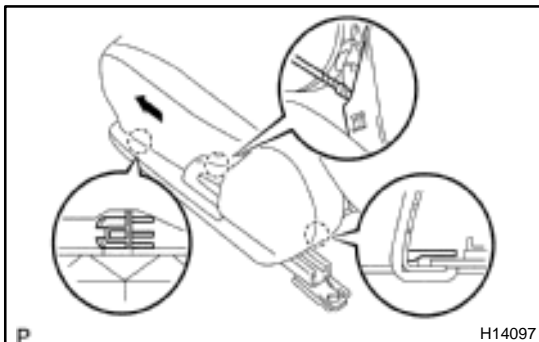


2. REMOVE RECLINING ADJUSTER RELEASE HANDLE

Using a screwdriver, remove the reclining adjuster release handle.

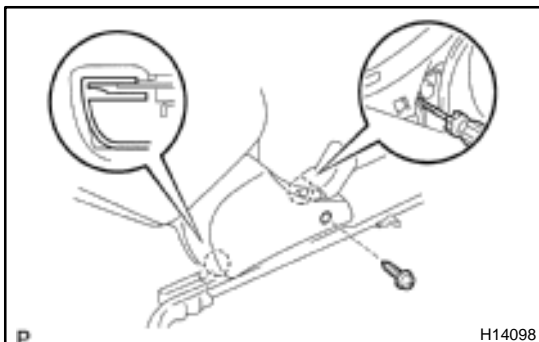
HINT:

Tape the screwdriver tip before use.



3. REMOVE FRONT SEAT CUSHION SHIELD

Remove the front seat cushion shield as shown in the illustration.



4. REMOVE FRONT SEAT CUSHION INNER SHIELD

Remove the screw and front seat cushion inner shield as shown in the illustration.

5. REMOVE FRONT SEAT INNER BELT

- (a) Cut off the clamp and connector.
- (b) Remove the bolt and front seat inner belt.

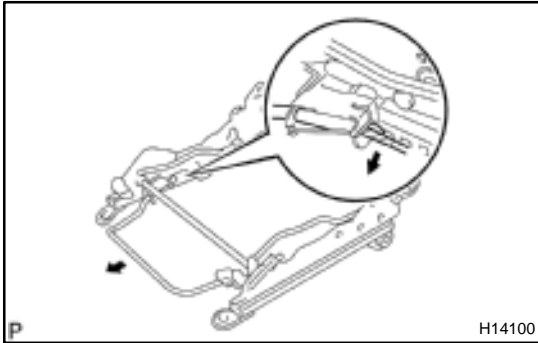
6. REMOVE SEAT CUSHION ASSEMBLY

- (a) Remove the 4 bolts and seat cushion assembly.
- (b) Remove the hog rings.
- (c) Disengage that seat cushion cover hooks and remove the seat cushion frame.
- (d) Remove the hog rings between the seat cushion cover and seat cushion pad.
- (e) Remove the seat cushion cover from the seat cushion pad.

7. REMOVE SEATBACK ASSEMBLY

- (a) Remove the hog rings.
- (b) Turn over the seatback cover.
- (c) Remove the 4 bolts and seatback assembly

- (d) Remove the hog rings between the seat back cover and the seatback pad.
- (e) Remove the seatback cover and the seatback pad from the seatback frame.

**8. REMOVE SEAT TRACK HANDLE**

Using a screwdriver, remove the seat track handle.

HINT:

Tape the screwdriver tip before use.

9. REMOVE RECLINING CONNECTING PIPE**10. DISASSEMBLE OUTER AND INNER TRACK**

- (a) Using a screwdriver, remove the E-ring.
- (b) Disassemble the outer track and inner track.